



## Tilting saddles on the piston side

---



View product: <http://industrial.lukas.com>

### For adapting cylinders to uneven movements.

In the case of uneven movements, for example the one-sided lifting of loads, LUKAS tilting saddles are indispensable. Inserted directly into the cylinder piston, they adapt so that the forces can be applied evenly as planned.

---

#### For further information on this product, please contact us directly.

Phone number: + 49 9131 698 468

Fax number: + 49 9131 698 303

E-mail: [lukas.info@idexcorp.com](mailto:lukas.info@idexcorp.com)

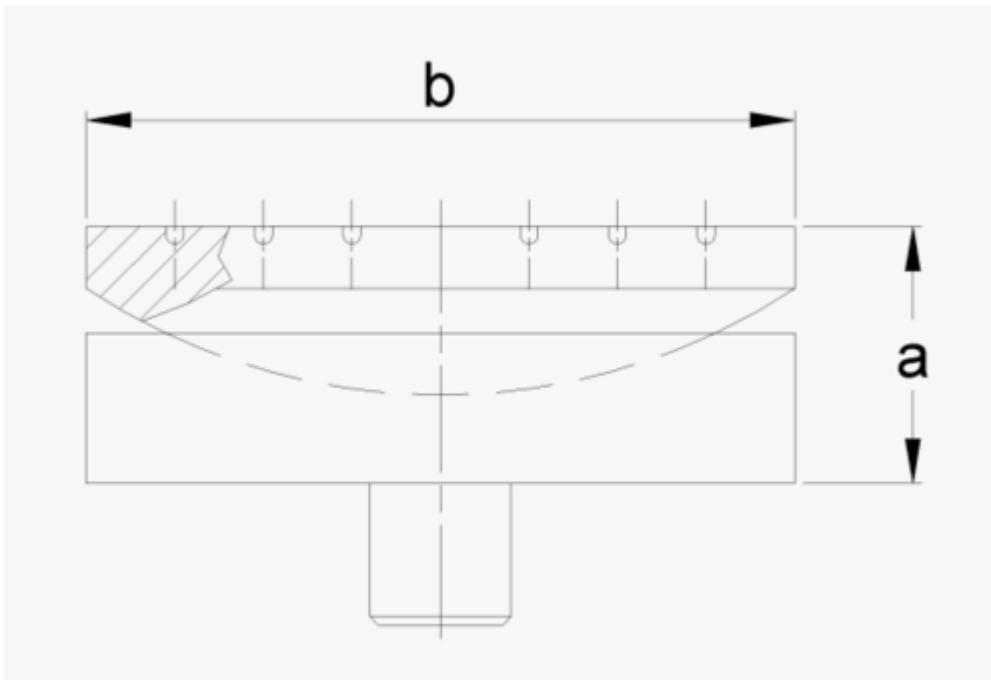
#### Find nearest contact:

[industrial.lukas.com/Service/Find+a+contact.html](http://industrial.lukas.com/Service/Find+a+contact.html)

---

 **Tilting saddles on the piston side**

**Technical data all types**



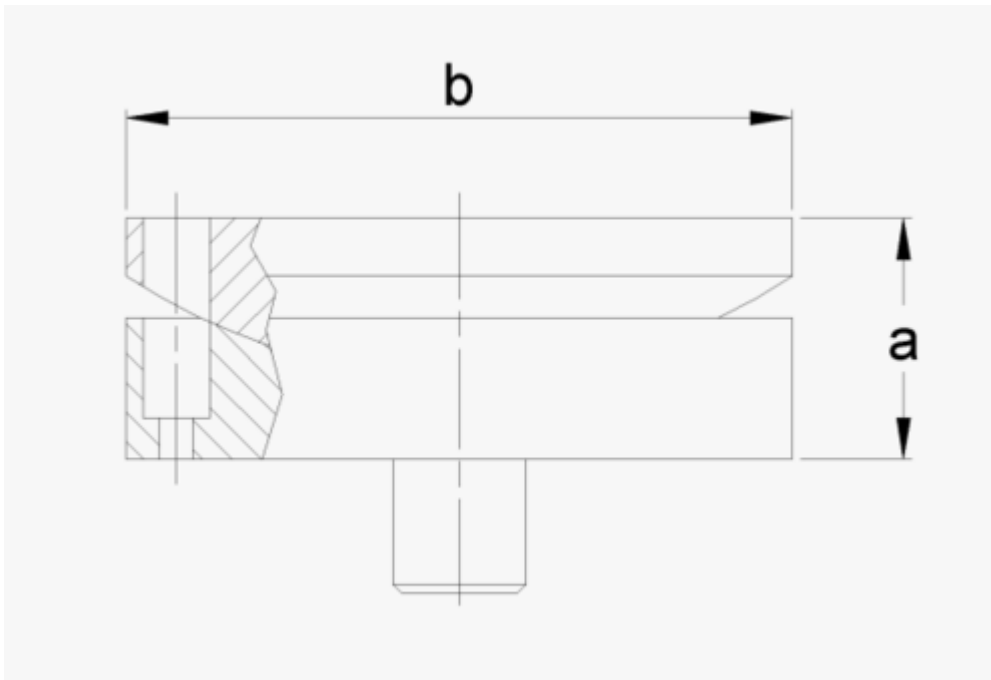
 **Tilting saddles on the piston side**

**Technical data all types**

| type (type)               | order no.  | A (mm) | B (Ø mm) | inclination angle (°) | weight (kg) |
|---------------------------|------------|--------|----------|-----------------------|-------------|
| <b>LF. 6, LF. 10</b>      | 84128/5063 | 20     | 50       | 9                     | 0.3         |
| <b>LF. 16, LF. 25</b>     | 84128/5062 | 20     | 63       | 9                     | 0.3         |
| <b>LF. 40</b>             | 84128/5065 | 28     | 80       | 9                     | 1.1         |
| <b>HL... 9, HL... 14</b>  | 84128/5063 | 20     | 50       | 9                     | 0.3         |
| <b>HL... 22, HL... 35</b> | 84128/5062 | 20     | 63       | 9                     | 0.3         |
| <b>HL... 55</b>           | 84128/5065 | 28     | 80       | 9                     | 1.1         |
| <b>ACM 10/...</b>         | 84128/5063 | 20     | 50       | 9                     | 0.3         |
| <b>ACM 25/...</b>         | 84128/5063 | 20     | 50       | 9                     | 0.3         |
| <b>ACM 63/...</b>         | 84128/5065 | 28     | 80       | 9                     | 1.1         |

 **Tilting saddles on the piston side**

Only type HL... 85 & LF. 63



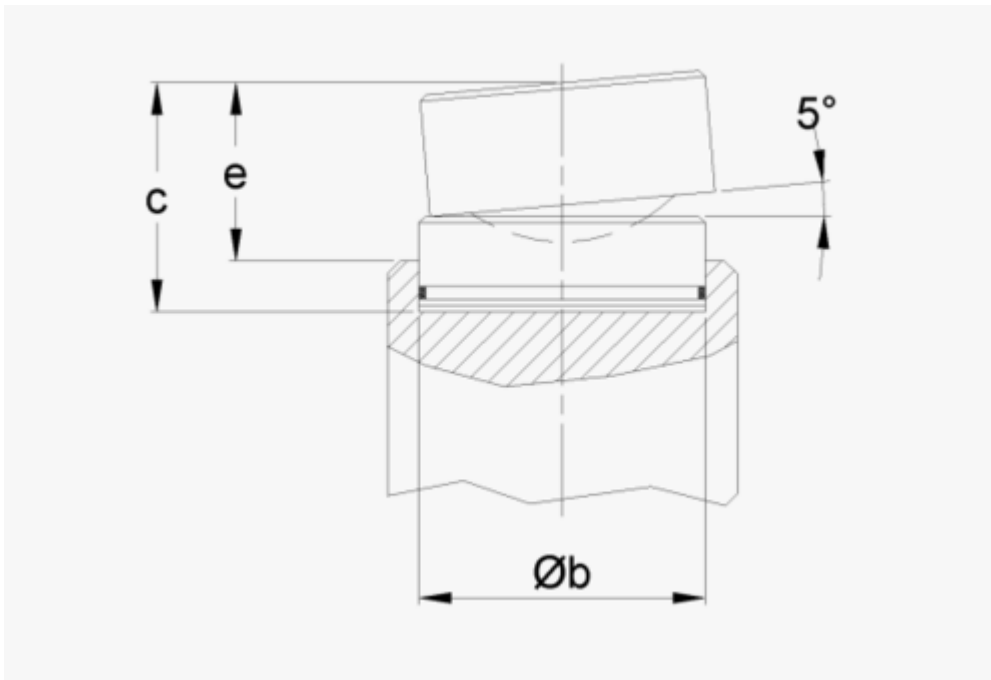
 **Tilting saddles on the piston side**

**Only type HL... 85 & LF. 63**

| type (type)     | order no.  | A (mm) | B (Ø mm) | inclination angle (°) | weight (kg) |
|-----------------|------------|--------|----------|-----------------------|-------------|
| <b>HL... 85</b> | 84128/1624 | 45     | 110      | 9                     | 3           |
| <b>LF. 63</b>   | 84128/1624 | 45     | 110      | 9                     | 3           |

 **Tilting saddles on the piston side**

Only steel cylinders



 **Tilting saddles on the piston side**

**Only steel cylinders**

| type (type)        | order no.     | B (mm) | C (mm) | E (mm) |
|--------------------|---------------|--------|--------|--------|
| <b>HLCN 30/...</b> | 84148/0904-13 | 45     | 36     | 28     |
| <b>LSC 50/..</b>   | 84148/0906-13 | 61     | 39     | 36     |
| <b>LSC 75/..</b>   | 84148/0906-13 | 61     | 39     | 36     |
| <b>LDC 50/..</b>   | 84148/0906-13 | 61     | 39     | 36     |
| <b>LDC 75/..</b>   | 84148/0906-13 | 61     | 39     | 36     |
| <b>HLCN 50/..</b>  | 84148/0906-13 | 61     | 39     | 36     |
| <b>LSC 95/..</b>   | 84148/0908-13 | 88     | 47     | 36     |
| <b>LDC 95/..</b>   | 84148/0908-13 | 88     | 47     | 36     |
| <b>LDC 140/..</b>  | 84148/0908-13 | 88     | 47     | 36     |
| <b>HLCN 100/..</b> | 84148/0908-13 | 88     | 47     | 36     |
| <b>HDCR 140/..</b> | 84148/0908-13 | 88     | 47     | 36     |
| <b>LSC 140/..</b>  | 84148/0909-13 | 111    | 52     | 40     |
| <b>LDC 220/..</b>  | 84148/0909-13 | 111    | 52     | 40     |
| <b>HLCN 140/..</b> | 84148/0908-13 | 88     | 47     | 35     |
| <b>HSCR 140/..</b> | 84148/0909-13 | 111    | 52     | 40     |

 **Tilting saddles on the piston side**

| type (type)        | order no.     | B (mm) | C (mm) | E (mm) |
|--------------------|---------------|--------|--------|--------|
| <b>HDCR 220/..</b> | 84148/0909-13 | 111    | 52     | 40     |
| <b>HSCR 220/..</b> | 84148/0909-13 | 111    | 52     | 40     |
| <b>LSC 220/..</b>  | 84148/0910-13 | 131    | 57     | 45     |
| <b>LDC 350/..</b>  | 84148/0910-13 | 131    | 57     | 45     |
| <b>HLCN 220/..</b> | 84148/0910-13 | 131    | 57     | 45     |
| <b>HSCR 220/..</b> | 84148/0910-13 | 131    | 57     | 45     |
| <b>HDCR 420/..</b> | 84148/0910-13 | 131    | 57     | 45     |
| <b>LDC 560/..</b>  | 84148/2110-13 | 178    | 67     | 47     |
| <b>HSCR 350/..</b> | 84148/2110-13 | 178    | 67     | 47     |
| <b>HDCR 350/..</b> | 84148/2110-13 | 178    | 67     | 47     |
| <b>HDCR 350/..</b> | 84148/2110-13 | 178    | 67     | 47     |
| <b>HDCR 420/..</b> | 84148/2110-13 | 178    | 67     | 47     |
| <b>HDCR 560/..</b> | 84148/9948-87 | 200    | 79     | 57     |
| <b>HDCR 560/..</b> | 84148/9948-87 | 200    | 79     | 57     |
| <b>HLCN 560/..</b> | 84148/9948-87 | 200    | 79     | 53     |



 **Tilting saddles on the piston side**

| type (type)         | order no.     | B (mm) | C (mm) | E (mm) |
|---------------------|---------------|--------|--------|--------|
| <b>HSCR 560/..</b>  | 84148/9948-88 | 250    | 105    | 75     |
| <b>HDCR880/..</b>   | 84148/9948-88 | 250    | 105    | 75     |
| <b>HLCN 880/..</b>  | 84148/9946-88 | 250    | 105    | 75     |
| <b>HSCR 880/..</b>  | 84148/9946-01 | 290    | 140    | 100    |
| <b>HLCN 1100/..</b> | 84148/9946-02 | 325    | 175    | 125    |
| <b>HSCR 1100/..</b> | 84148/9946-02 | 325    | 175    | 125    |
| <b>HDCR 1100/..</b> | 84148/9946-02 | 325    | 175    | 125    |



Germany's finest hydraulics

## LUKAS – the name in hydraulic tools.

High-quality hydraulic tools for industrial applications: LUKAS has developed and produced them in Germany since 1948. Wherever you need to move heavy loads, with our products you have a strong partner at your side. Only LUKAS offers these advantages:

### German quality

With few exceptions, LUKAS products are developed and manufactured from start to finish in Germany. That is the only way we can maintain our high standard of quality and monitor our entire production chain. Our highly skilled team works with great attention to detail - and is always a step closer to our customers.



### The original

In 1948, LUKAS was the first brand to offer high-quality hydraulic tools for industrial applications. Since then our engineers have always kept a step ahead of developments so we can offer the guaranteed best quality.

### Unique customer focus

LUKAS is the only manufacturer to offer you customer-oriented direct sales. Our experienced sales team can give you excellent advice because they understand your needs and can offer you tailored solutions.